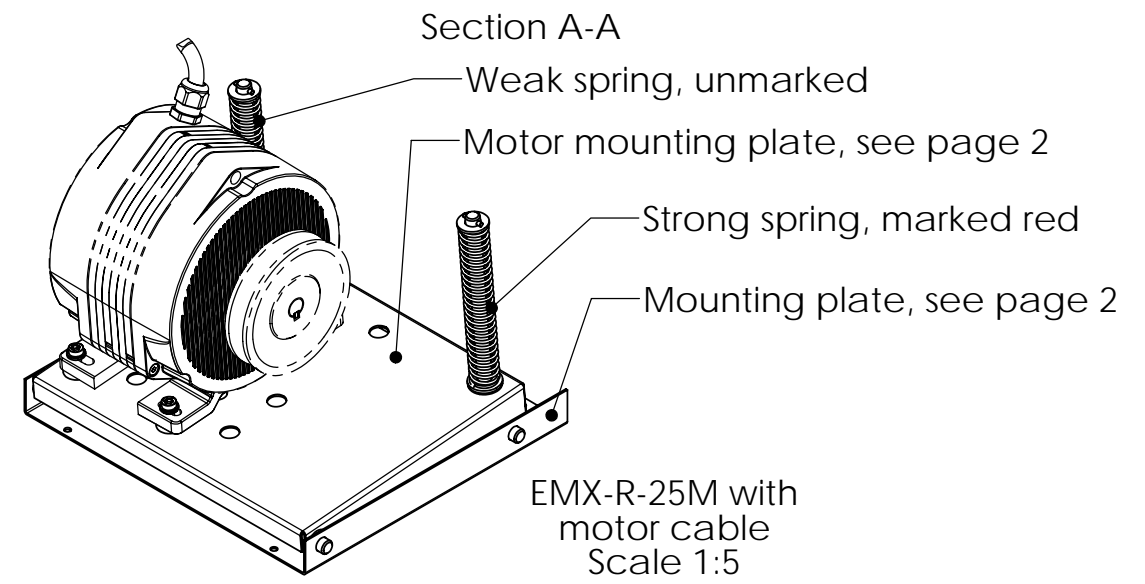
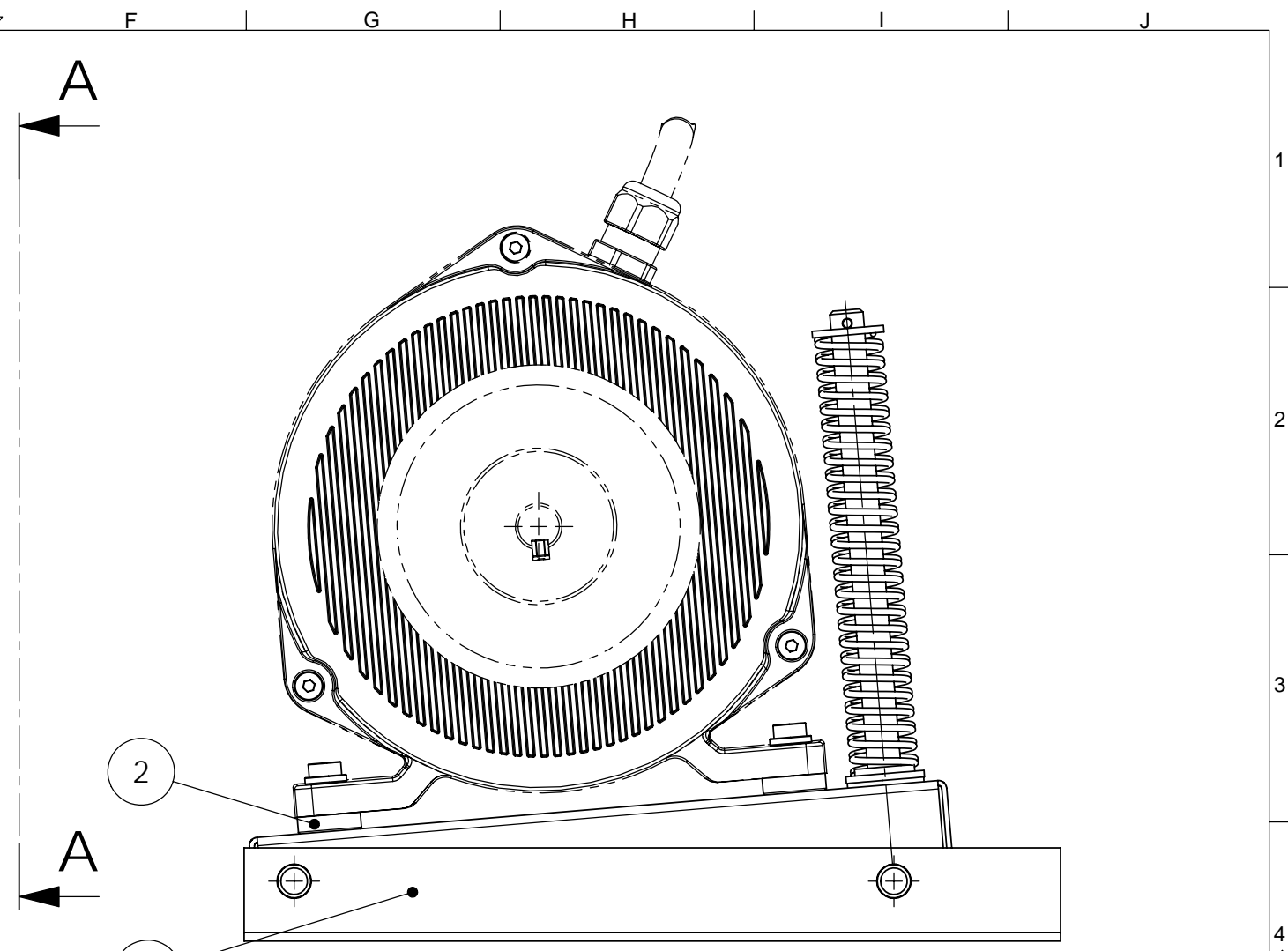
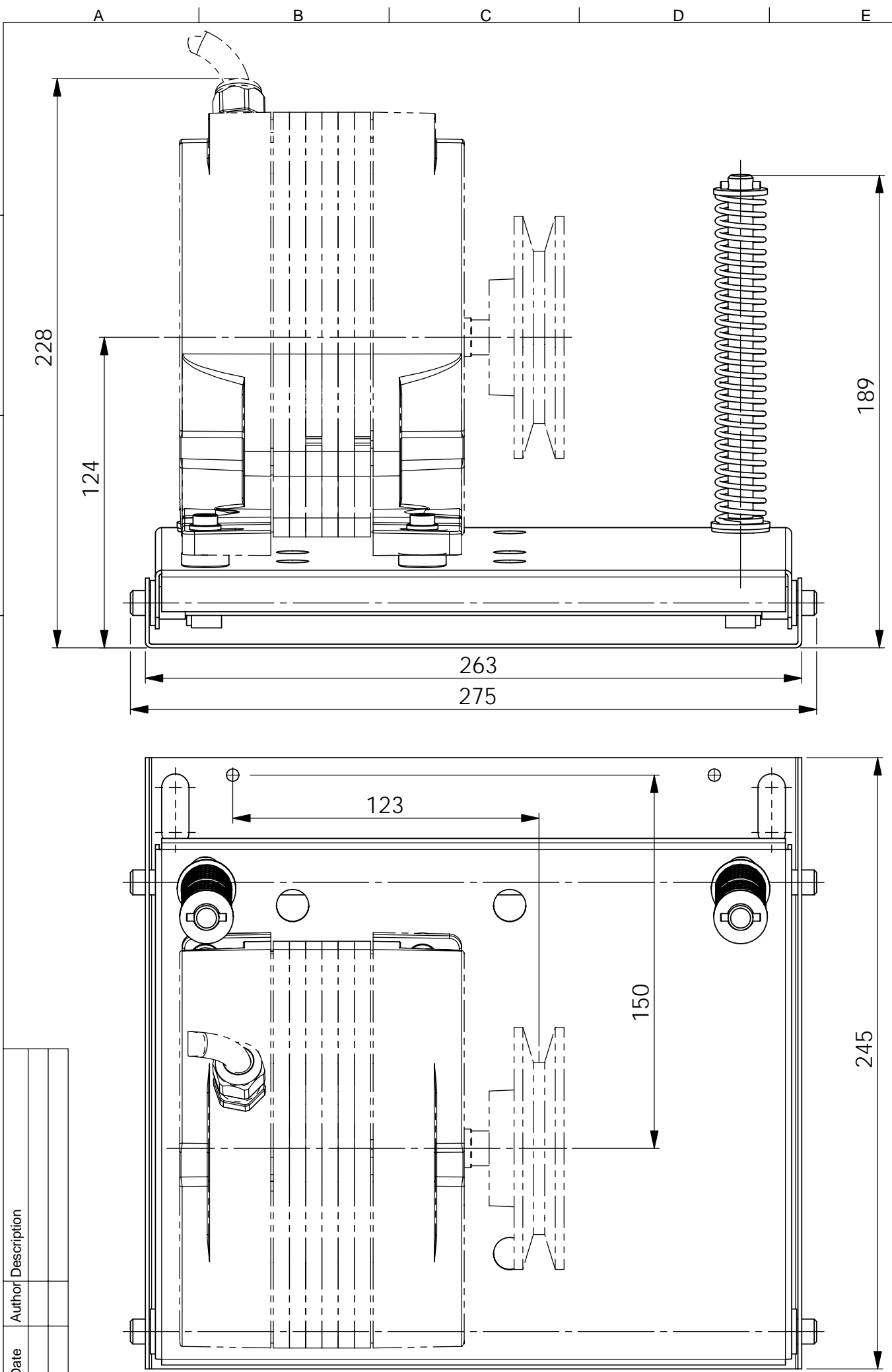


This document must not be copied without our written permission, and the contents thereof must not be imparted to a third party nor be used for any unauthorized purpose. Contravention will be prosecuted. ÖsTek AB

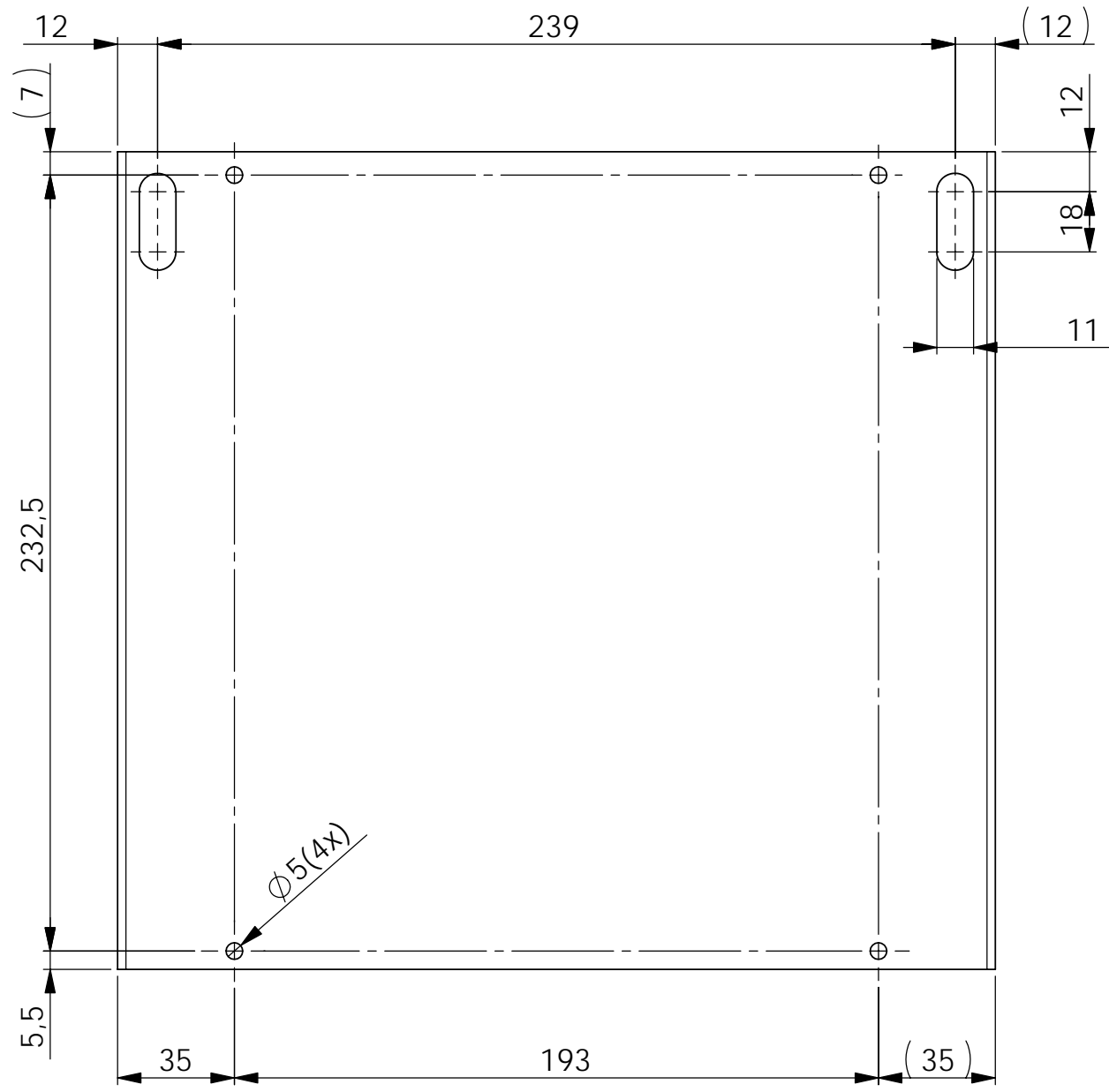


Pos.	Description	Qty.
1	Motor support	1
2	Rubber bushing	4

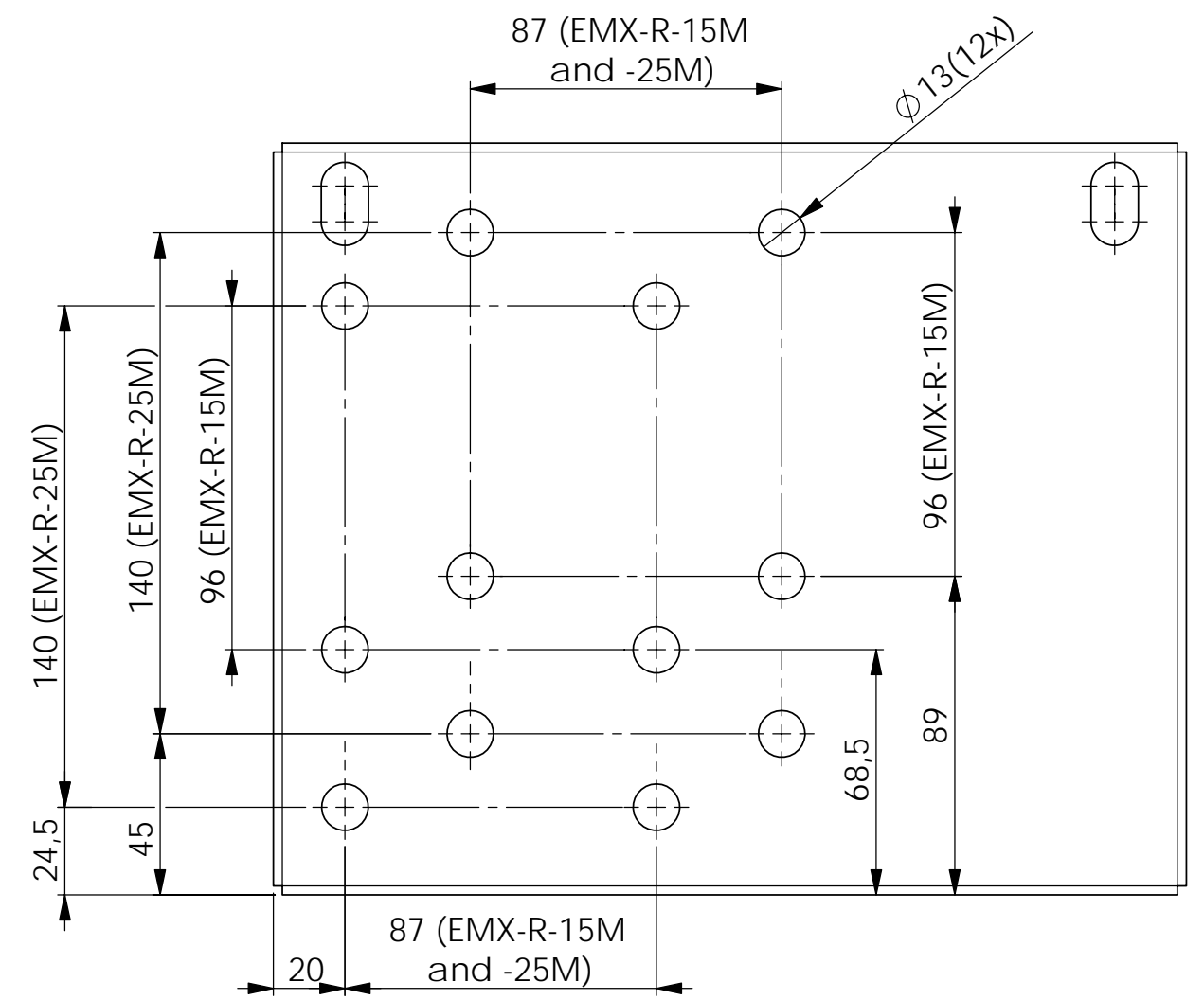
			Page 1 of 2		
Material/Manufacturer		Dimension/Type	Comments		
Designed BW	Drawn SL	Approved	WHERE NO SPECIFIC TOLERANCE IS GIVEN, WE APPLY TO THE STANDARDS BELOW: SS-ISO 2768-1 (M) (901017), SS 2111 (H12) (900912)		
ÖsTek AB Österbybruk			Motor support for motors EMX-R-15M and -25M		Scale 1:2
			Drawing / Article NO. 3-1121		Date 060331
			Revision R0		

This document must not be copied without our written permission, and the contents thereof must not be imparted to a third party nor be used for any unauthorized purpose. Contravention will be prosecuted. OsTek AB

Rev.	Date	Author	Description



Mounting plate



Motor mounting plate

			Page 2 of 2													
Material/Manufacturer		Dimension/Type		Comments												
Designed BW	Drawn SL	Approved	WHERE NO SPECIFIC TOLERANCE IS GIVEN, WE APPLY TO THE STANDARDS BELOW: SS-ISO 2768-1 (M) (901017), SS 2111 (H12) (900912)													
ÖsTek AB Österbybruk			<table border="0"> <tr> <td>Scale</td> <td>1:2</td> <td>Date</td> <td>060331</td> </tr> <tr> <td colspan="2">Drawing / Article NO.</td> <td colspan="2">Revision</td> </tr> <tr> <td colspan="2">3-1121</td> <td colspan="2">R0</td> </tr> </table>		Scale	1:2	Date	060331	Drawing / Article NO.		Revision		3-1121		R0	
Scale	1:2	Date	060331													
Drawing / Article NO.		Revision														
3-1121		R0														