

## Connection of current transformer with extension cable when bypass

### Material

1. 1 cable 1.6 m
2. 4 service connectors

### MSF 017-250

Place the current transformer in phase T1 and T3. Current must run through the current transformer (CT) both during bypass mode and not bypass mode (see Instruction manual for MSF chapter 4.4). Mount the CT with P1 towards main supply and P2 towards motor (see figure below).

### Connection of extension cable to current transformer

Current transformer phase T1 blue cable S1 to red cable with service connector connects to terminal 75.  
 Current transformer phase T3 blue cable S1 to blue cable with service connector connects to terminal 76.  
 Current transformer phase T1 and T3 brown cables S2 to brown cables with service connectors connects to terminal 77.

### MSF 310-1400

Place the current transformer in phase T1 and T3. Current must run through the current transformer (CT) both during bypass mode and not bypass mode (see Instruction manual for MSF chapter 4.4). Mount the CT with P1 towards main supply and P2 towards motor (see figure below).

### Connection of extension cable to current transformer

Current transformer phase T1 blue cable S1 to red cable with service connector connects to terminal 75.  
 Current transformer phase T2 blue cable S1 to blue cable with service connector connects to terminal 76.  
 Current transformer phase T1 and T2 brown cables S2 to brown cables with service connectors connects to terminal 77.

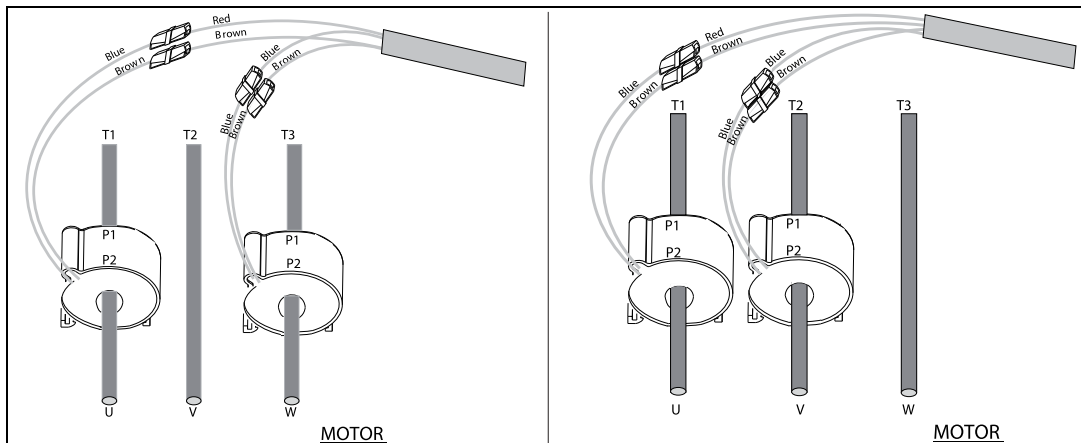
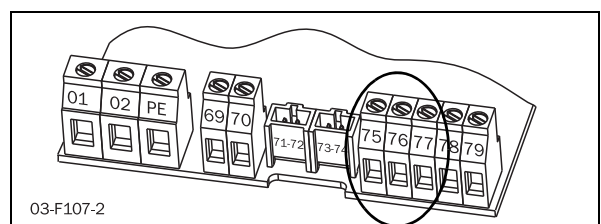


Fig. 1 MSF 017-250

Fig. 2 MSF 310-1400

### Connection of extension cable to terminals

- Red cable to terminal 75
- Blue cable to terminal 76
- Brown cable to terminal 77



03-F107-2